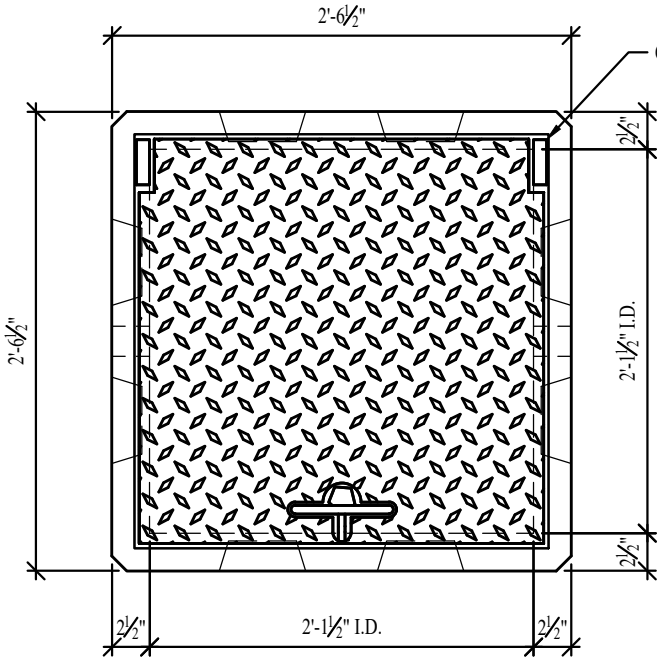
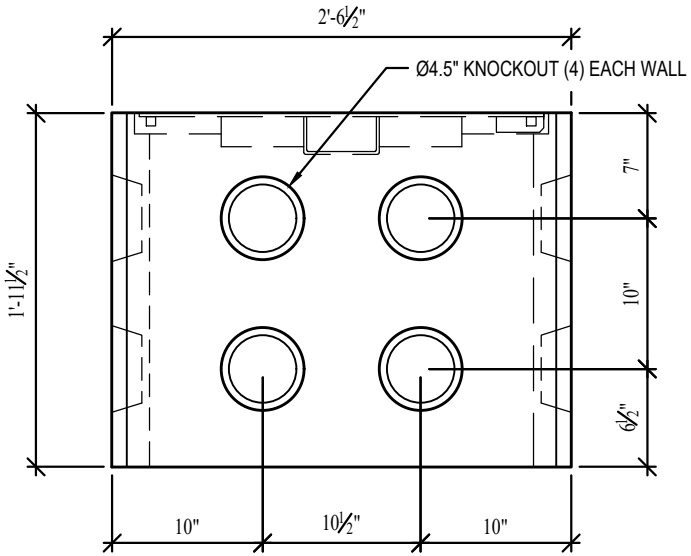
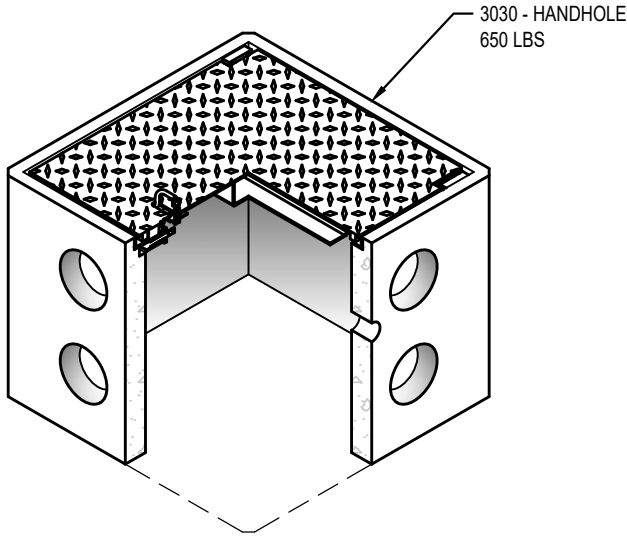


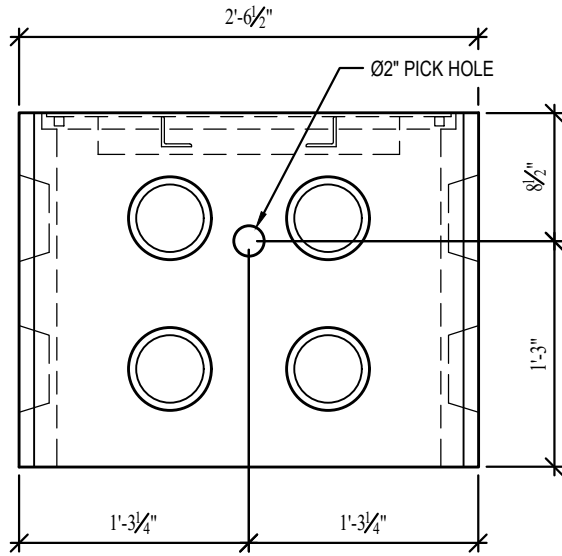
3030 - HANDHOLE



PLAN VIEW



SIDE VIEW



END VIEW