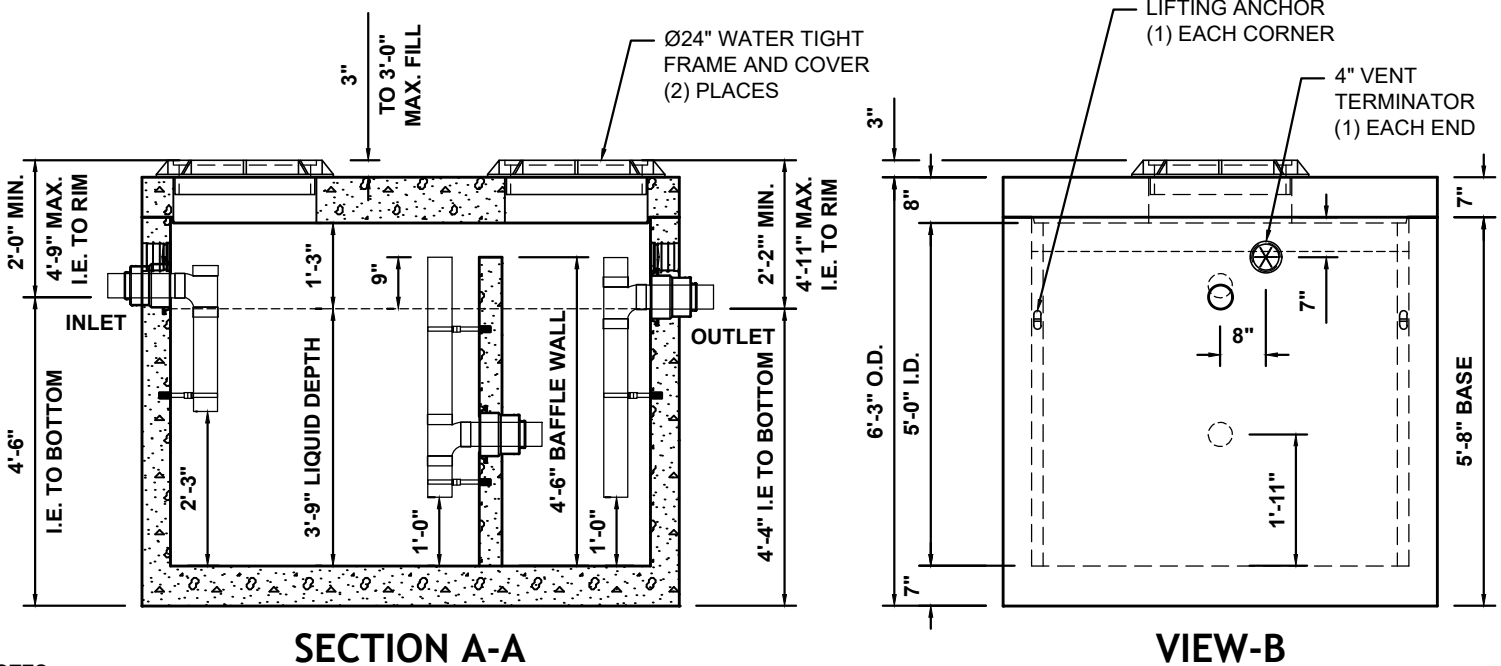
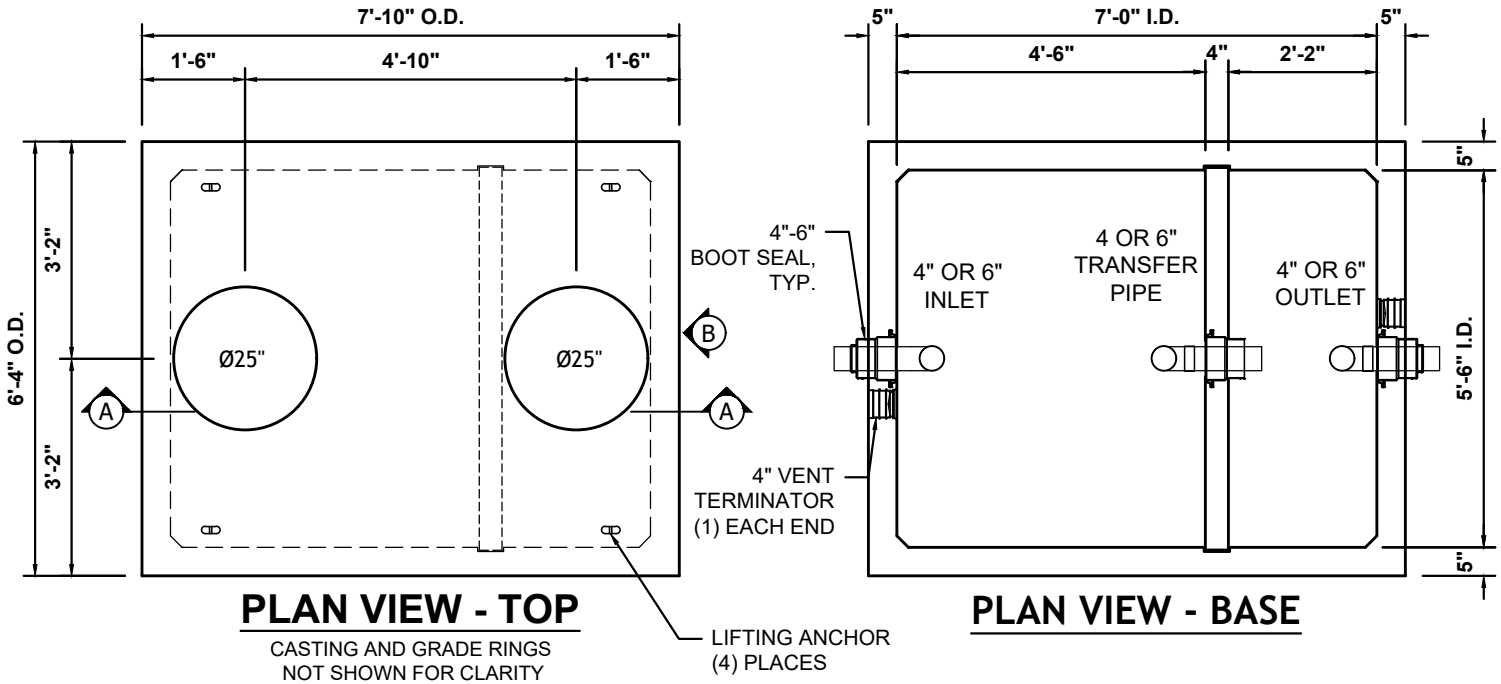


1000 GALLON GREASE INTERCEPTOR (675)



- NOTES:**
- Maximum DFU's = 35 for 1,000 gallon size Interceptor.
 - Heaviest pick weight = approx. 14,075lbs.
 - Vault meets or exceeds ASTM-C1613 & IAPMO/ANSI Z1001.
 - H20 Traffic Rated.
 - Fill completely with clean water prior to start-up of system.
 - Gray water only.
 - Ventilate Interceptor before servicing.
 - It is the responsibility of the owner to service this unit.
 - Interior plumbing included.
 - Grade rings available as needed.

VIEW-B
 PIPE AND FITTINGS NOT SHOWN FOR CLARITY



"IAPMO Listed"



Phone: (541) 538-2500 Fax: (541) 538-2504

Email: sales@rvpor.com

Web: rvpor.com