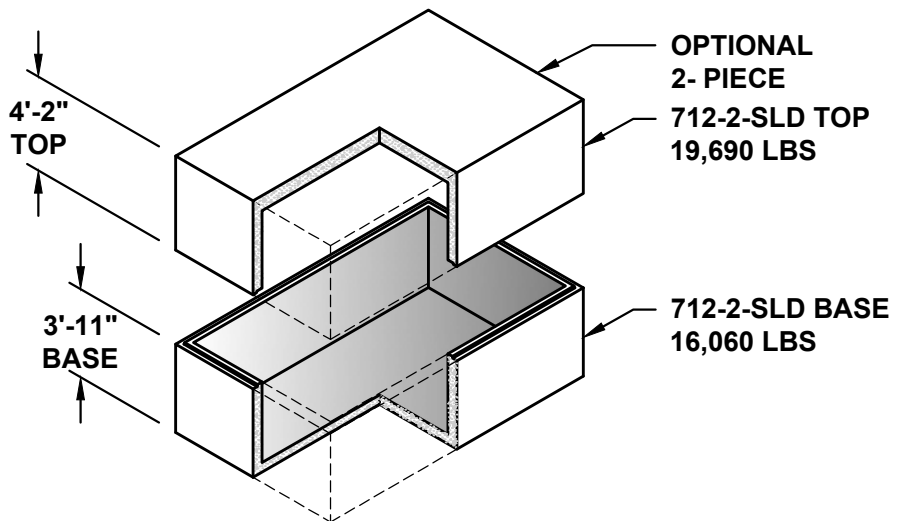
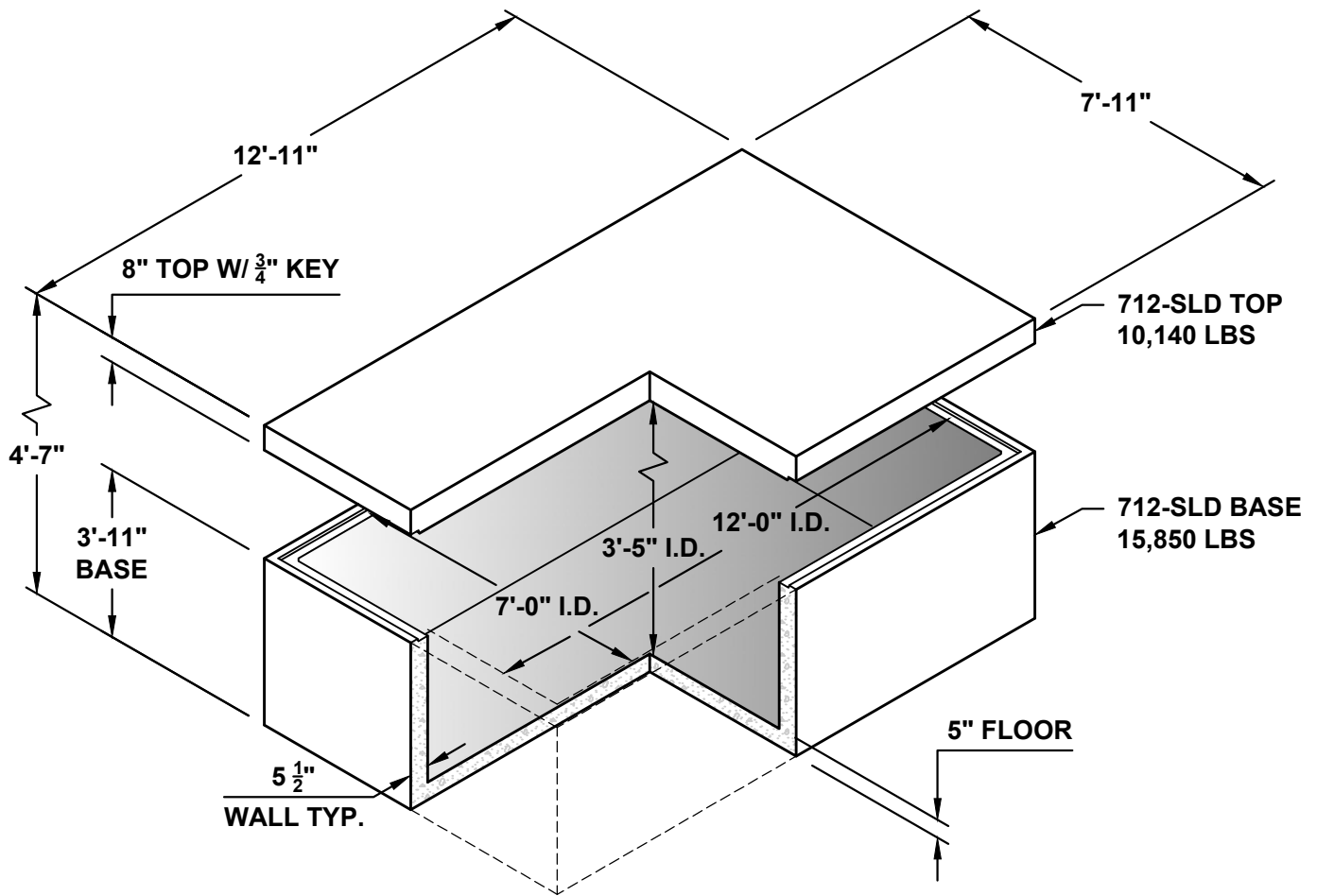


# 712 - VAULT



**NOTE:**  
 HEIGHT OF BASE & TOP ADJUSTABLE AS REQUIRED.  
 OPTIONAL TOP ACCESS, MANHOLE FRAME & COVERS, & HATCHES AS  
 NEEDED. VARIES SIZES AVAILABLE.  
 OPTIONAL ACCESSORIES: STRUT CHANNEL, SUMPS, INSERTS,  
 LADDERS, ETC.