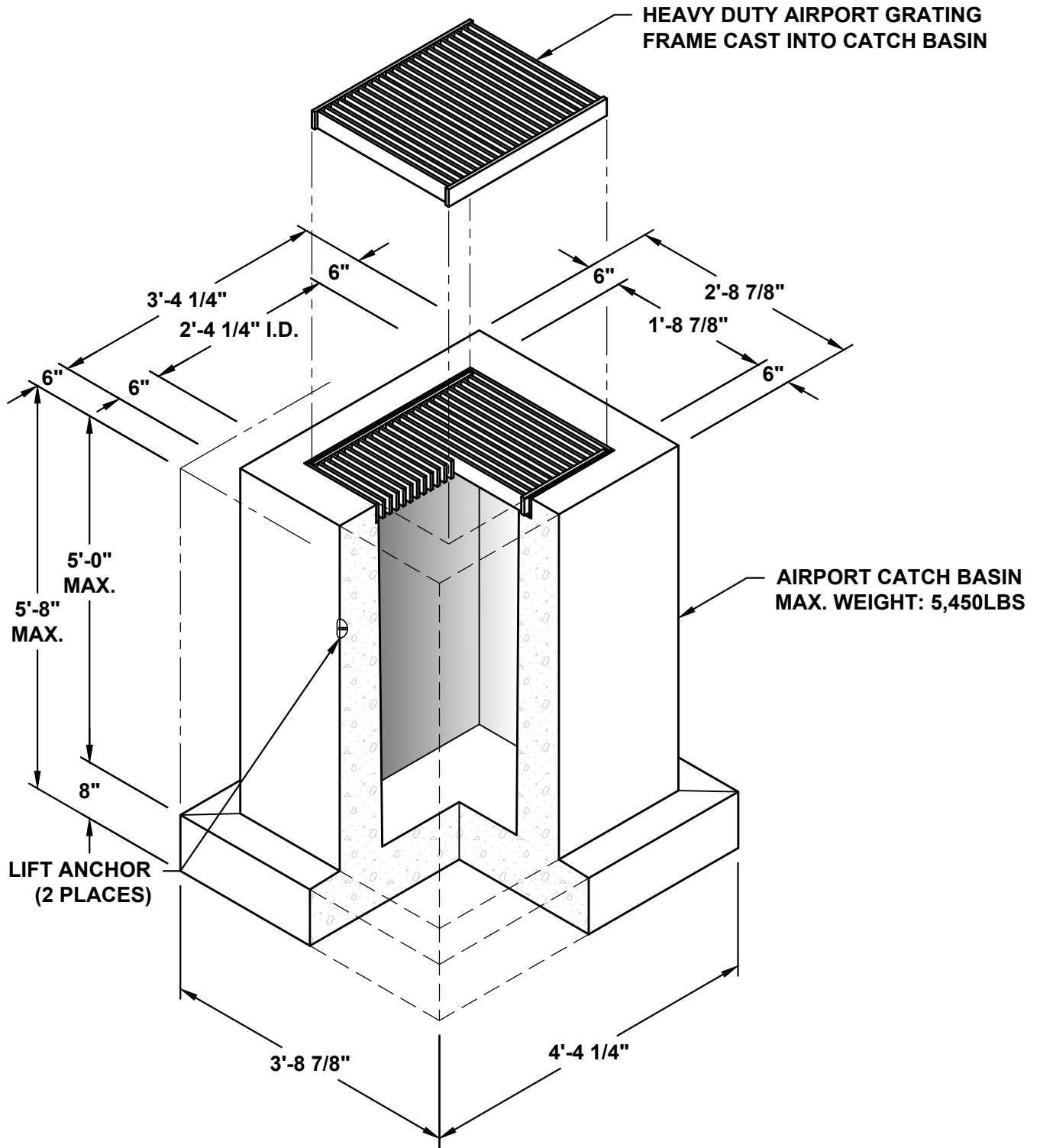


# AIRPORT - CATCH BASIN - 100KIP



- NOTES:**  
 1. REFER TO SUBMITTAL DRAWING(S) FOR HOLE SIZES & LOCATIONS.  
 2. ALL DIMENSIONS SUBJECT TO ALLOWABLE TOLERANCES.