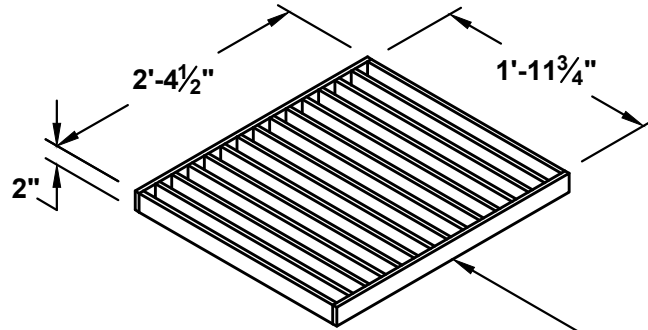
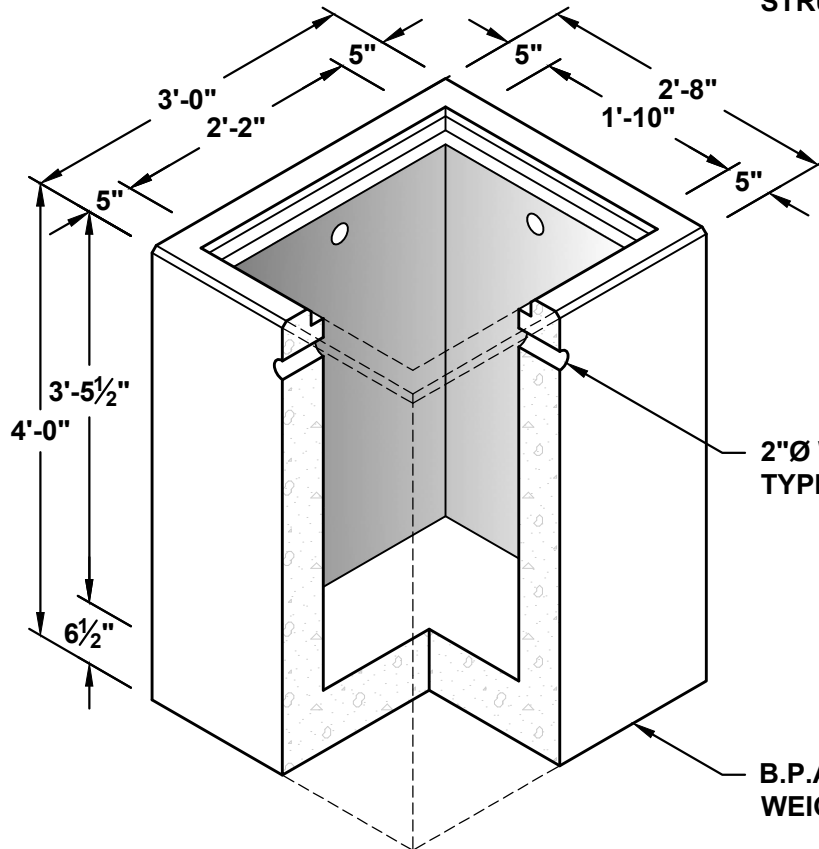


# B.P.A. - CATCH BASIN



**GRATE CONSTRUCTION**  
 $\frac{1}{2}$ " x 2" BARS @ 2" O.C.  
 STRUCTURAL STEEL A-36



**2"Ø WEEP HOLE**  
 TYPICAL (1) EACH WALL

**B.P.A. CATCH BASIN**  
 WEIGHT 2,765LBS

**NOTES:**  
 1. ALL DIMENSIONS SUBJECT TO ALLOWABLE TOLERANCES.