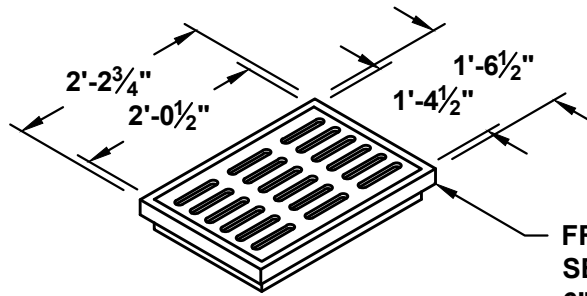
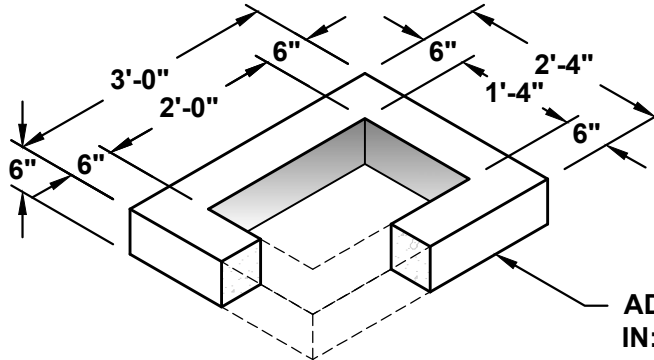


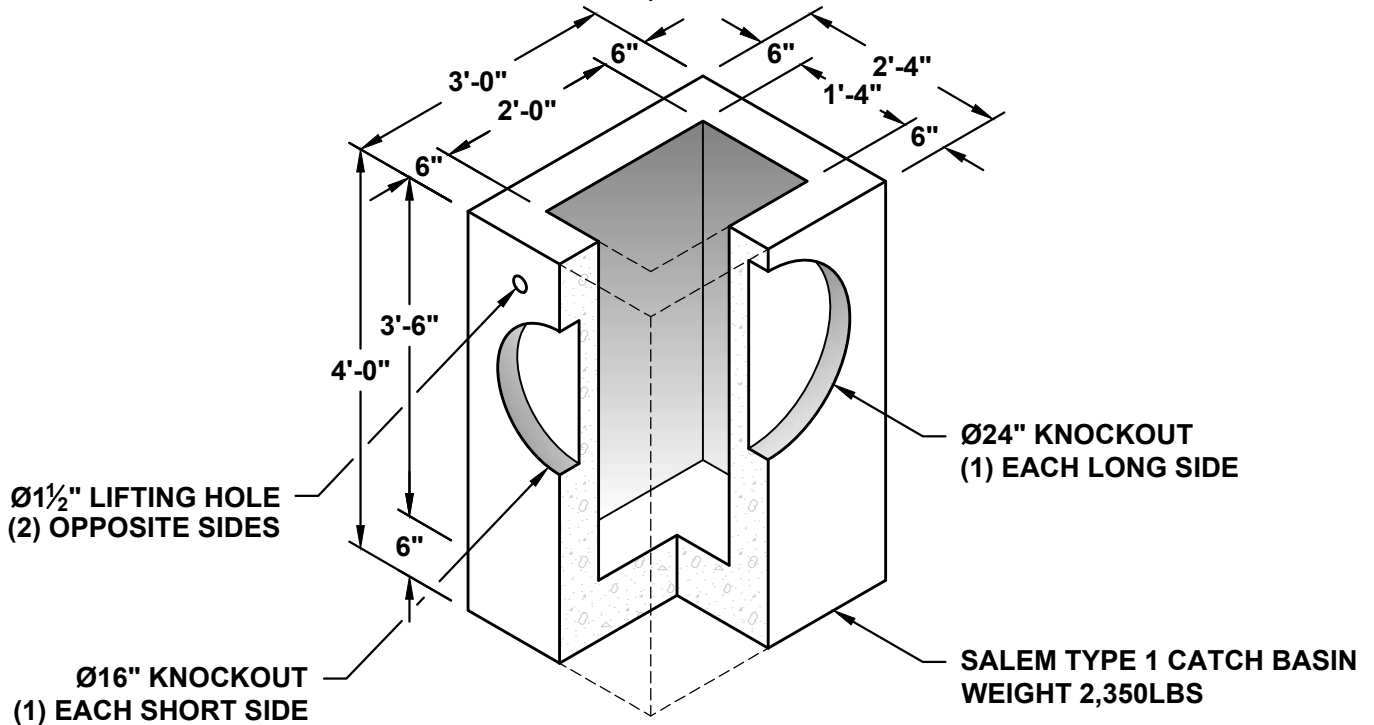
CITY OF SALEM - TYPE 1 CATCH BASIN



FRAME & GRATE AVAILABLE SEPARATELY OR CAST INTO 6" RISER



ADJUSTMENT RISER AVAILABLE IN: 4", 6" AND 12" HEIGHTS



NOTES:

1. MEETS OR EXCEEDS CITY OF SALEM STANDARD DRAWING NO. 200.
2. ALL DIMENSIONS SUBJECT TO ALLOWABLE TOLERANCES.