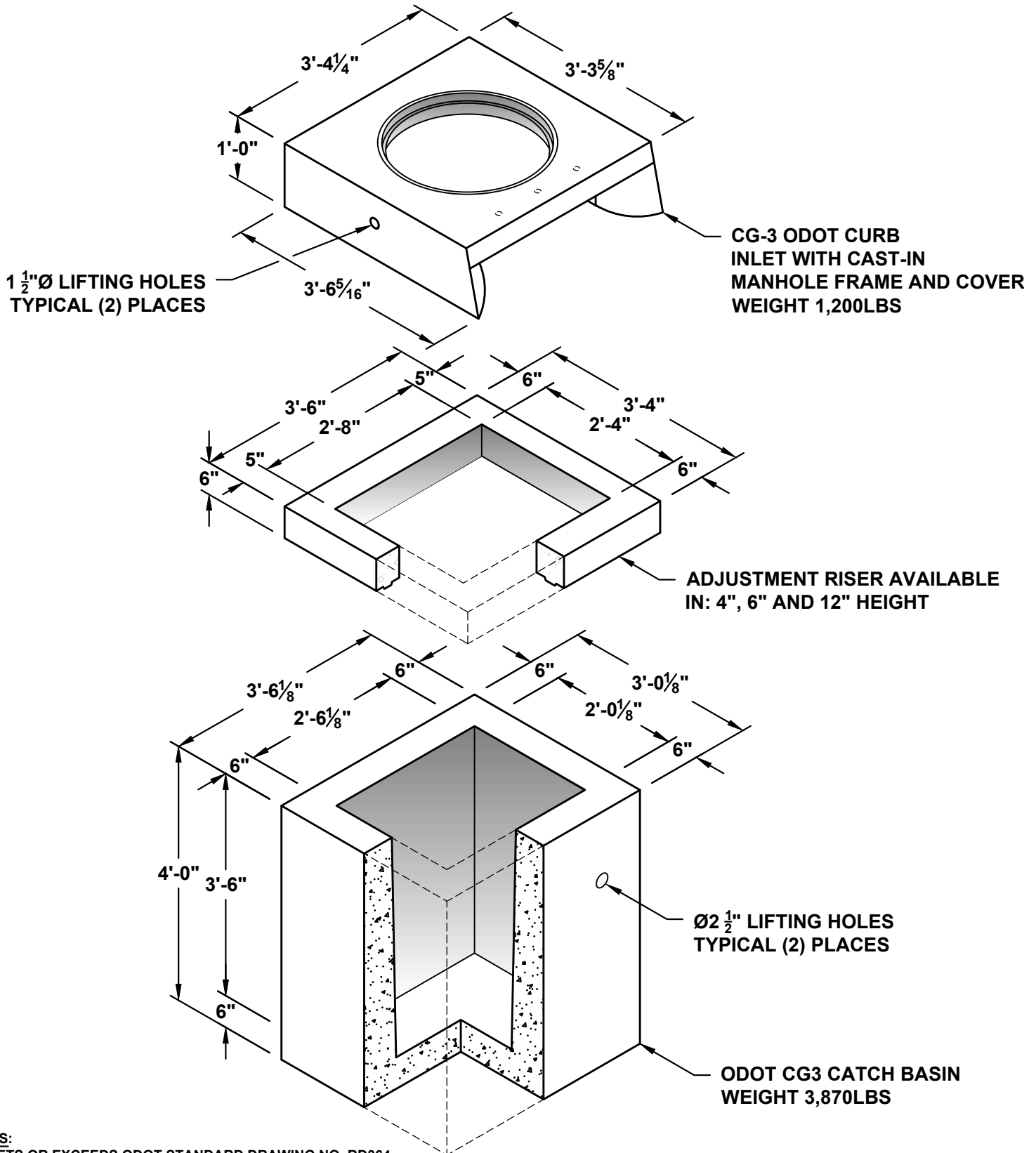


O.D.O.T. - TYPE CG-3 CATCH BASIN



- NOTES:**
 1. MEETS OR EXCEEDS ODOT STANDARD DRAWING NO. RD364.
 2. ALL DIMENSIONS SUBJECT TO ALLOWABLE TOLERANCES.