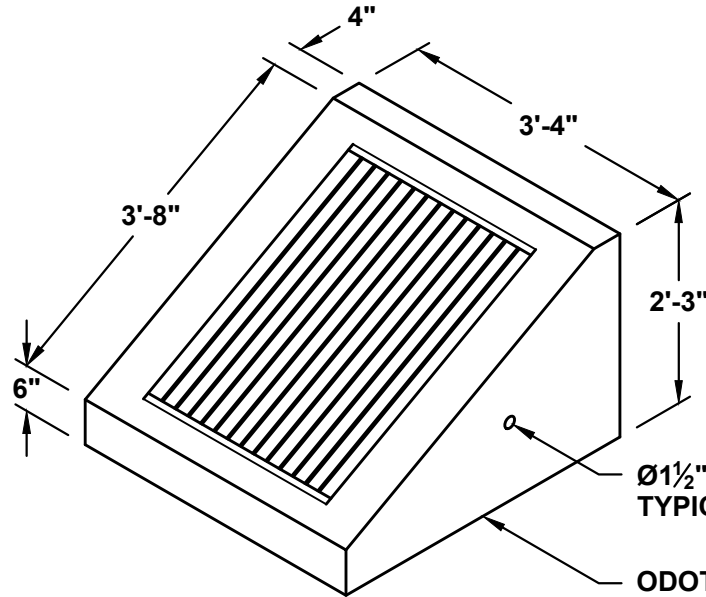
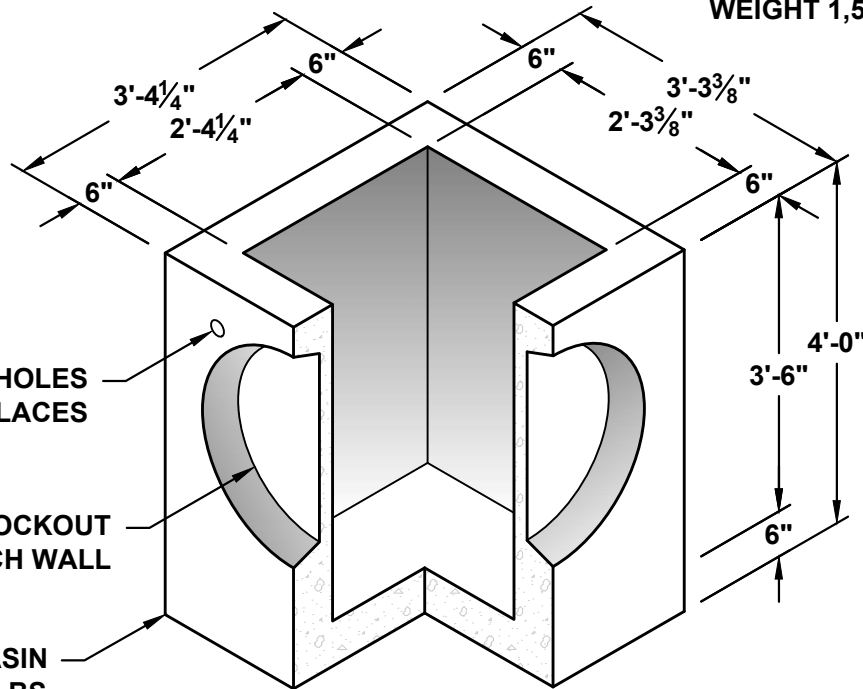


O.D.O.T. - G2 CATCH BASIN WITH DITCH INLET



ODOT TYPE D - DITCH INLET
 PROVIDED WITH O.S.H.D.
 TYPE 2 FRAME & GRATE
 WEIGHT 1,500LBS



ODOT G2 CATCH BASIN
 WEIGHT 3,050LBS

NOTES:

1. MEETS OR EXCEEDS ODOT STANDARD DRAWING NO. RD370.
2. ALL DIMENSIONS SUBJECT TO ALLOWABLE TOLERANCES.