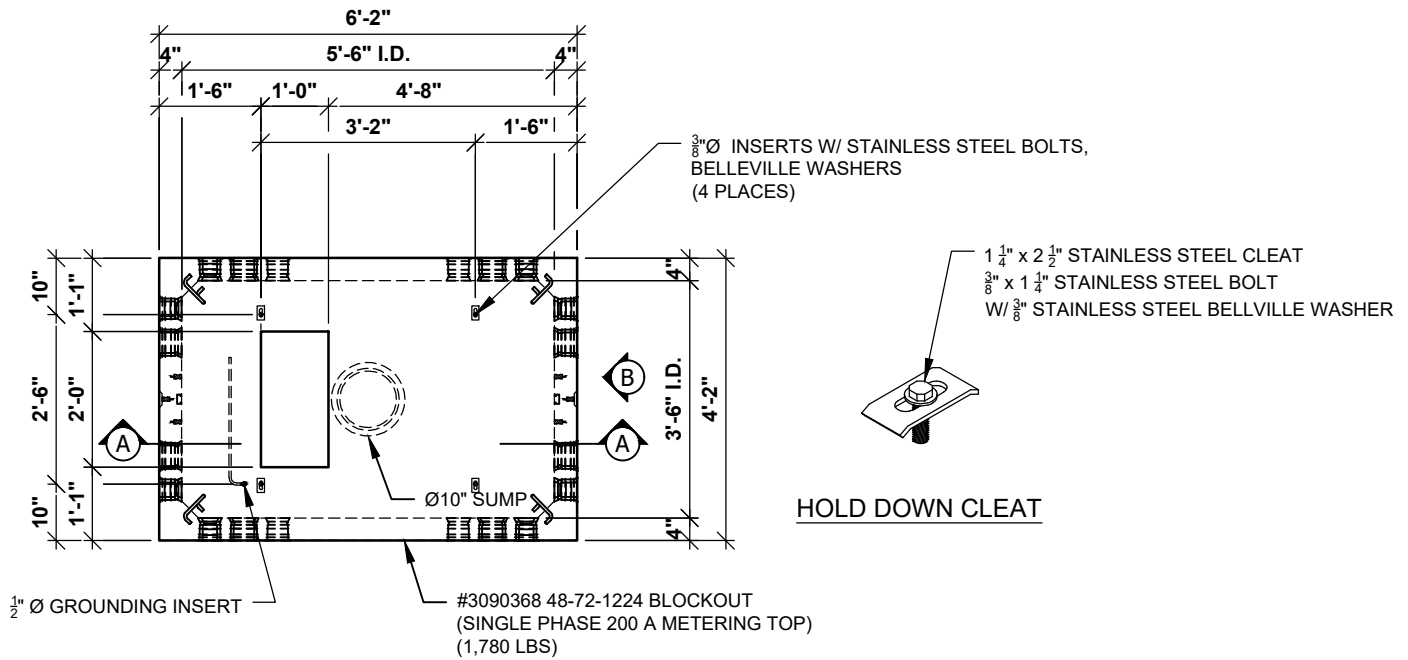
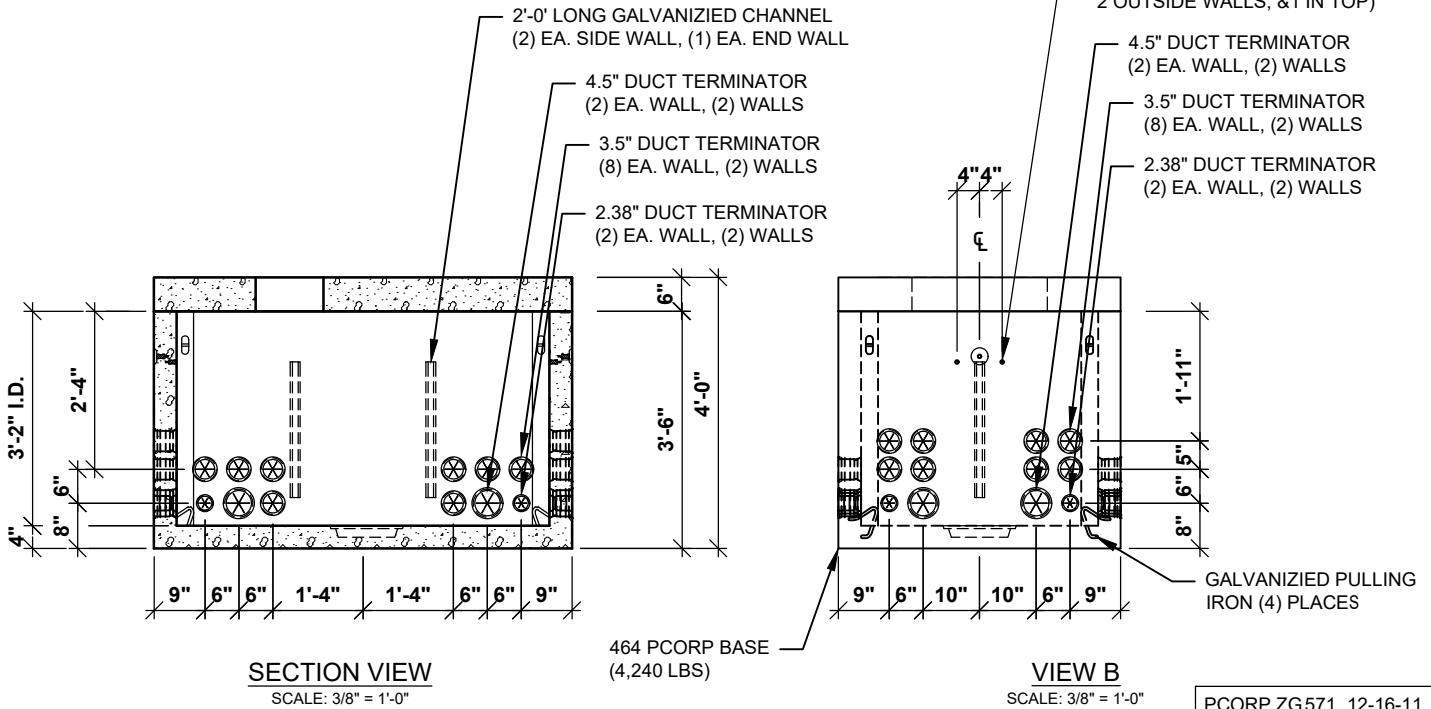


PACIFIC CORP 464 METER #3090368



PLAN VIEW
 SCALE: 3/8" = 1'-0"



NOTES:
 1. WEIGHTS LISTED ARE APPROXIMATE.

PCORP ZG571 12-16-11
PCORP ZG616 05-19-15