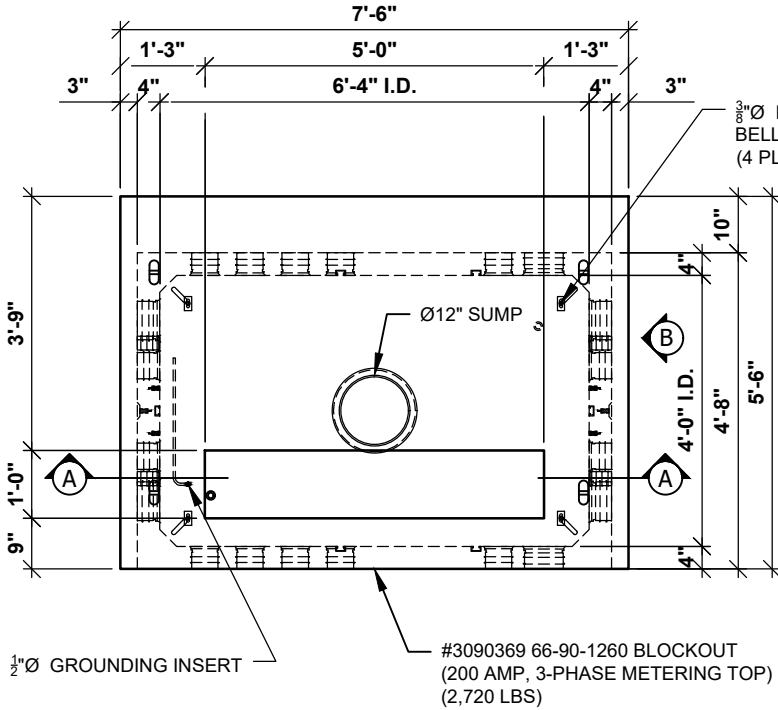
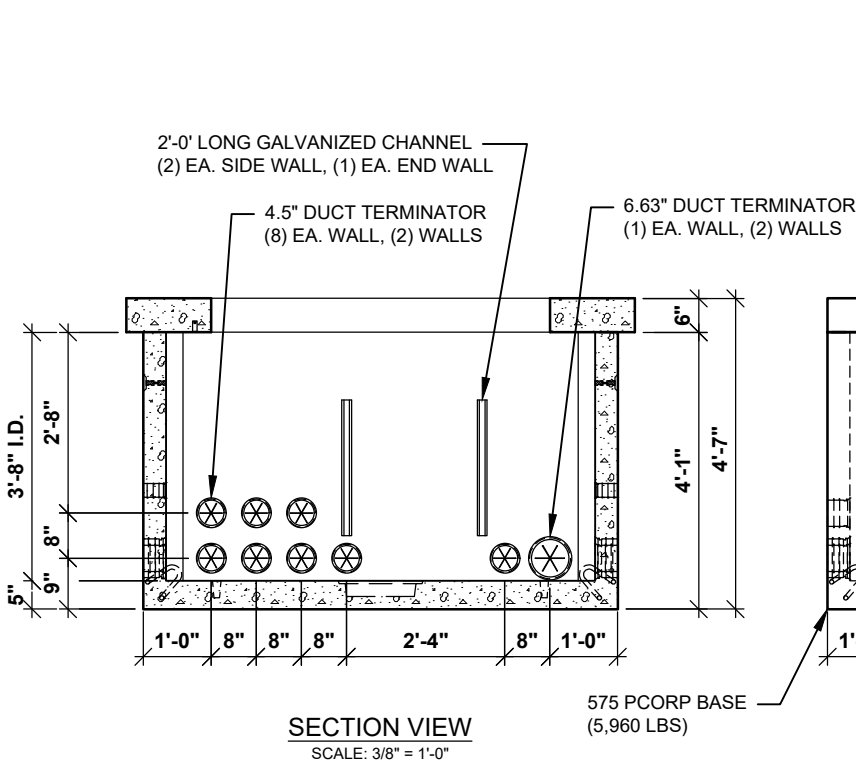


PACIFIC CORP 575 METER #3090369

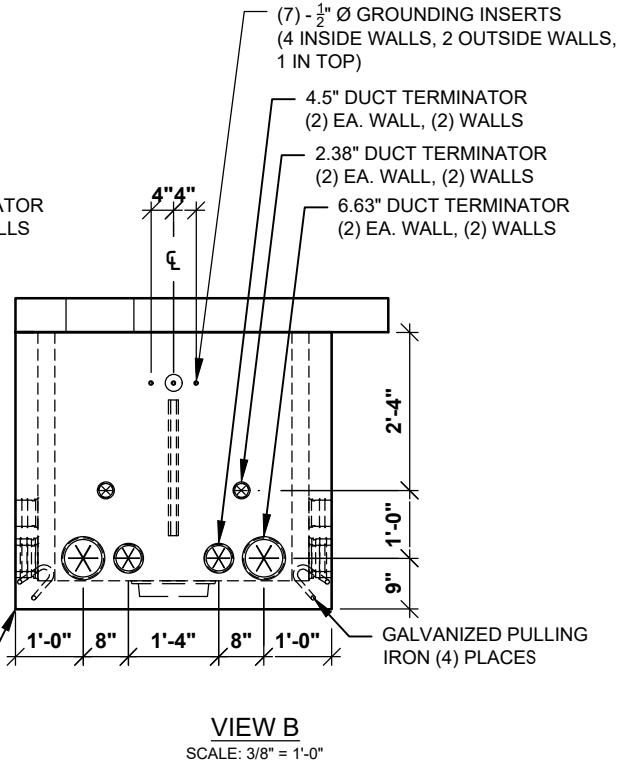


HOLD DOWN CLEAT

PLAN VIEW
SCALE: 3/8" = 1'-0"



SECTION VIEW
SCALE: 3/8" = 1'-0"



VIEW B
SCALE: 3/8" = 1'-0"

NOTES:
1. WEIGHTS LISTED ARE APPROXIMATE.

PCORP ZG571 12-16-11
PCORP ZG621 06-13-13