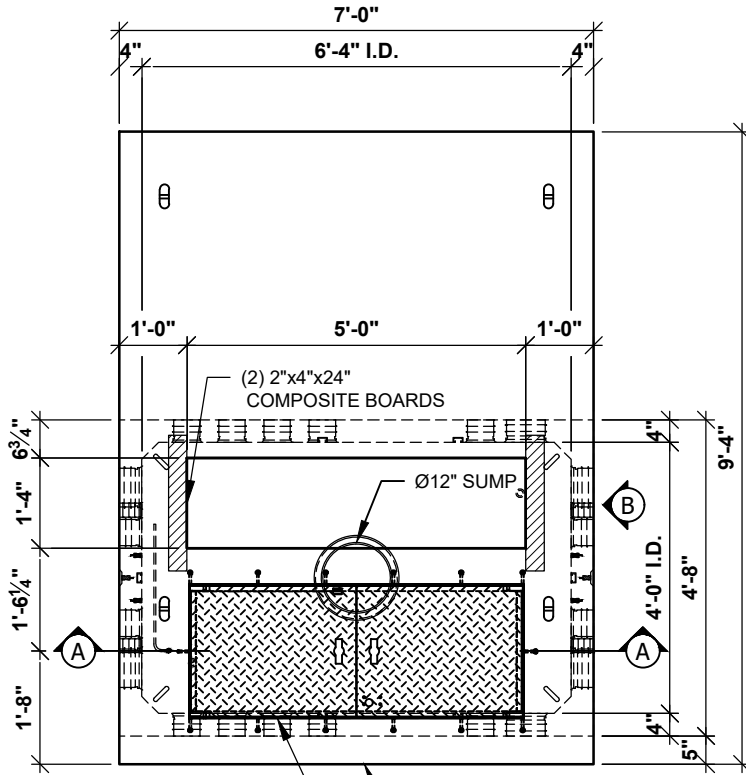
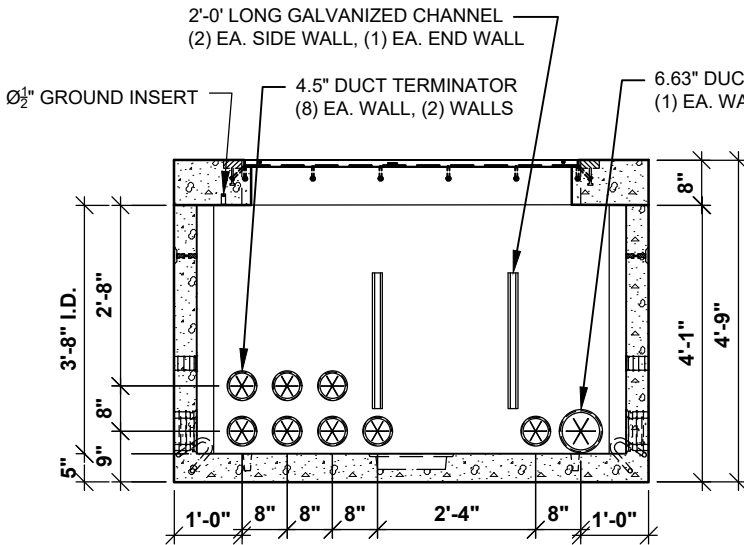


# PACIFIC CORP 575 TRANS #7992600



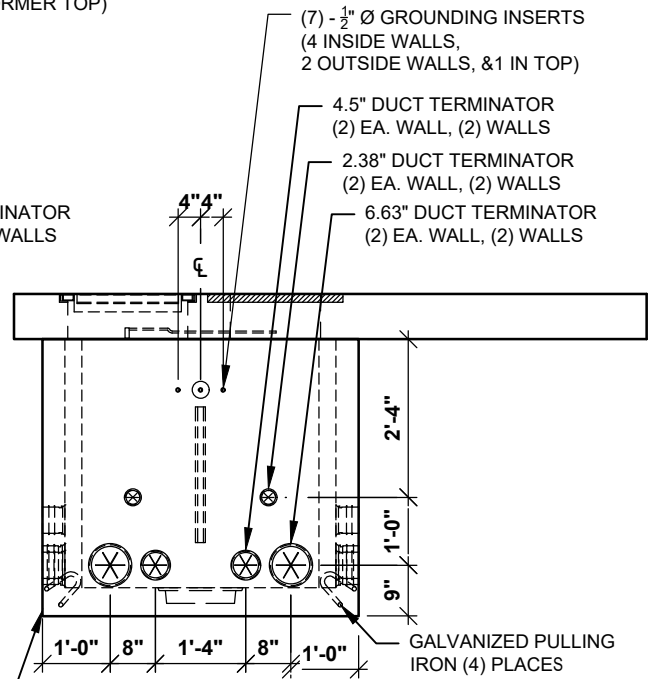
25DP- GALVANIZED DIAMOND PLATE DOOR #7992600 84-112-25DP-1660 BLOCKOUT (2.4-25 KV, 3-PHASE 75-750 TRANSFORMER TOP) (5,225 LBS)

**PLAN VIEW**  
SCALE: 3/8" = 1'-0"



**SECTION VIEW**  
SCALE: 3/8" = 1'-0"

575 PCORP BASE (5,960 LBS)



**VIEW B**  
SCALE: 3/8" = 1'-0"

**NOTES:**  
1. WEIGHTS LISTED ARE APPROXIMATE.

PCORP ZG521 06-13-13

PCORP ZG621 06-13-13