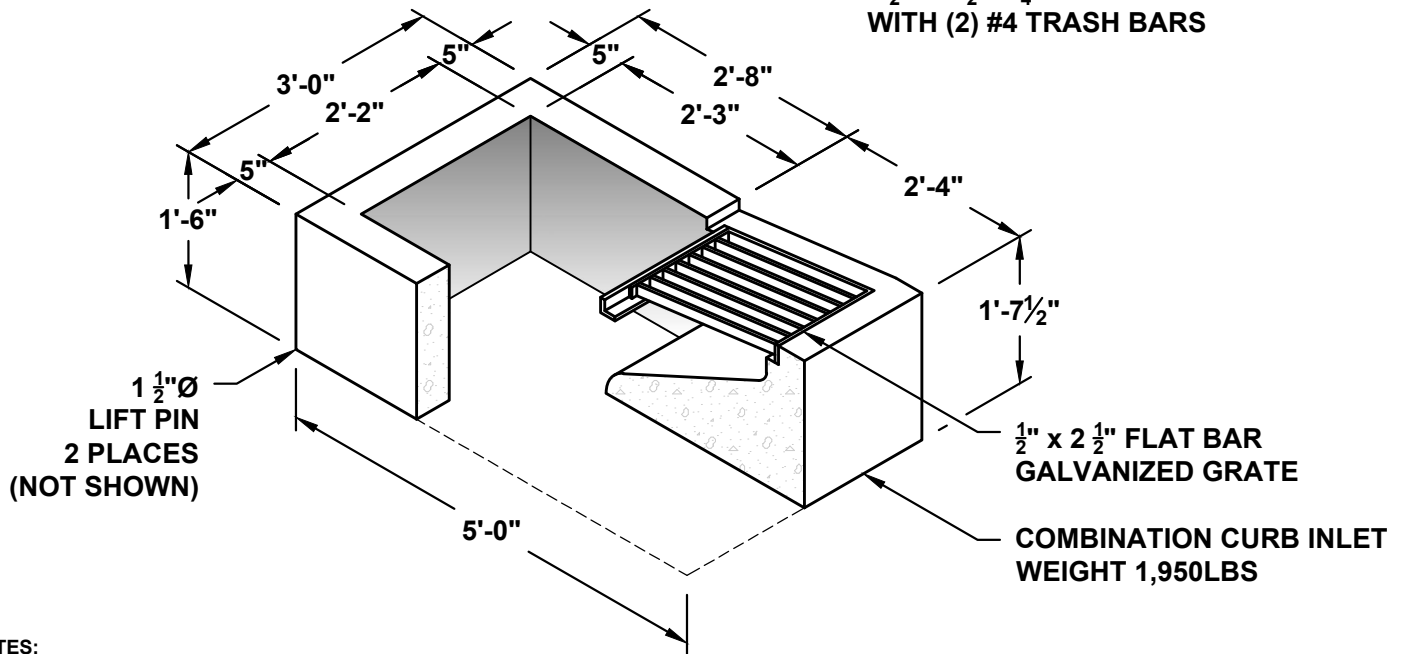
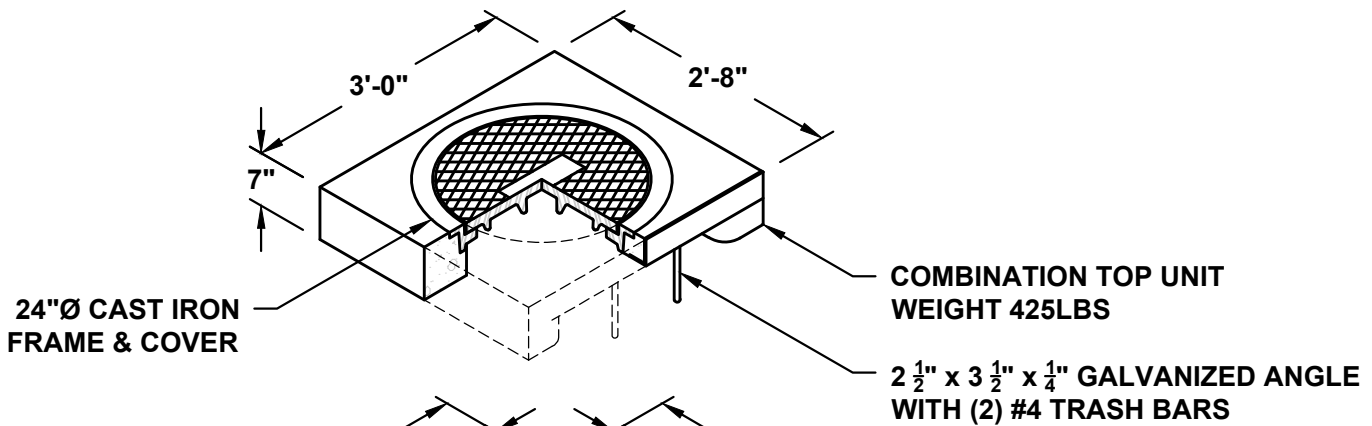
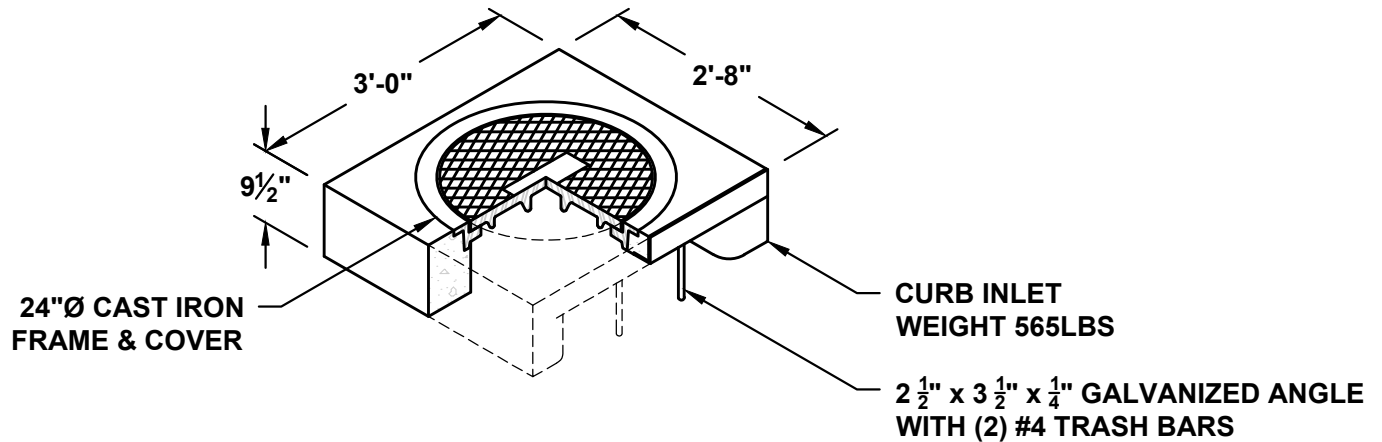


TYPE 1 CATCH BASIN - OPTIONAL CURB INLETS



- NOTES:**
 1. MEETS OR EXCEEDS CLARK COUNTY STANDARD DETAIL D3.0.
 2. ALL DIMENSIONS SUBJECT TO ALLOWABLE TOLERANCES.