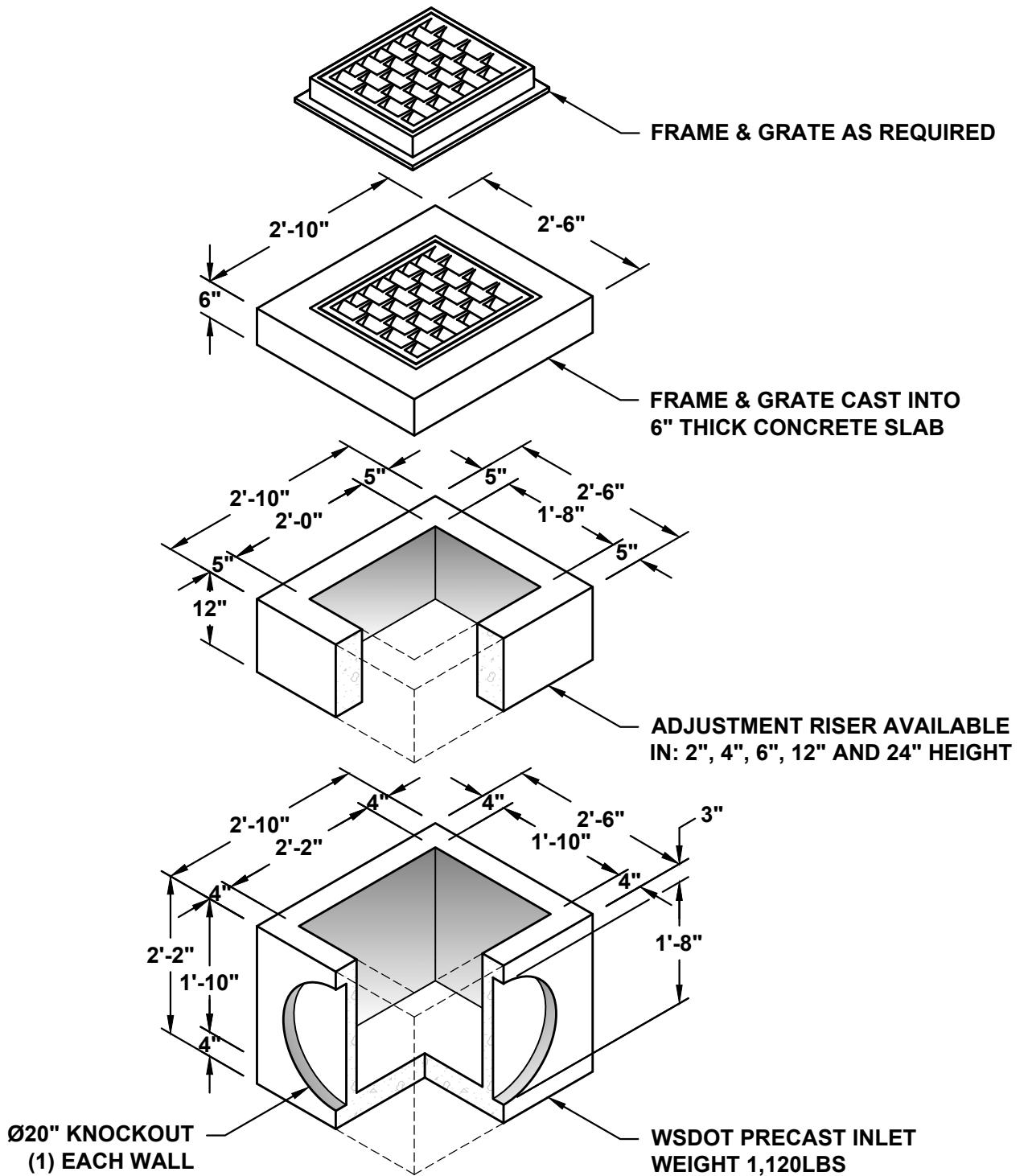


W.S.D.O.T. - TYPE 1 INLET



- NOTES:**
 1. MEETS OR EXCEEDS WSDOT STANDARD PLAN B-5.20-02.
 2. ALL DIMENSIONS SUBJECT TO ALLOWABLE TOLERANCES.