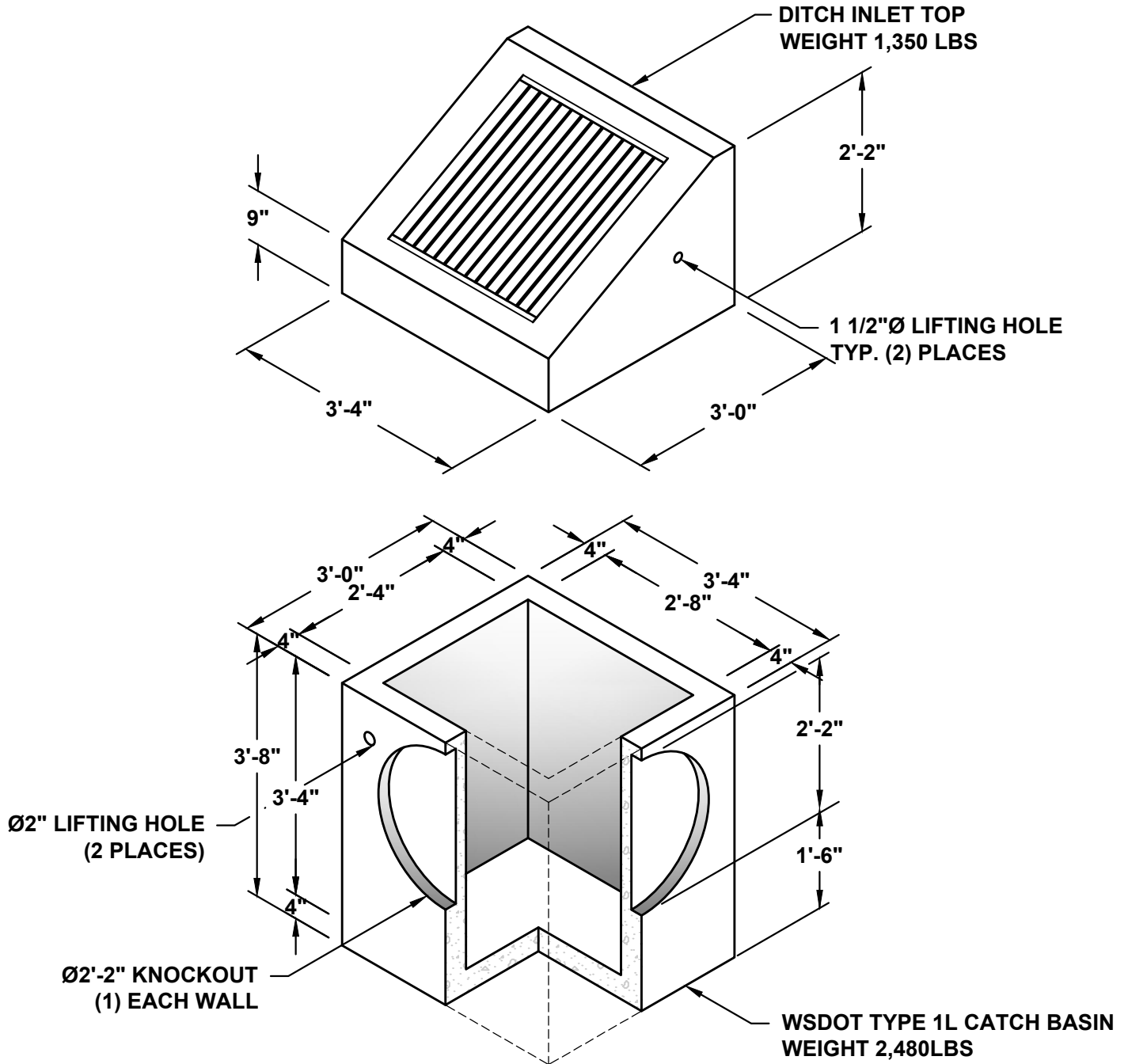


# W.S.D.O.T. - TYPE 1L DITCH INLET TOP



- NOTES:**  
 1. MEETS OR EXCEEDS WSDOT STANDARD PLAN B-5.40-02.  
 2. ALL DIMENSIONS SUBJECT TO ALLOWABLE TOLERANCES.