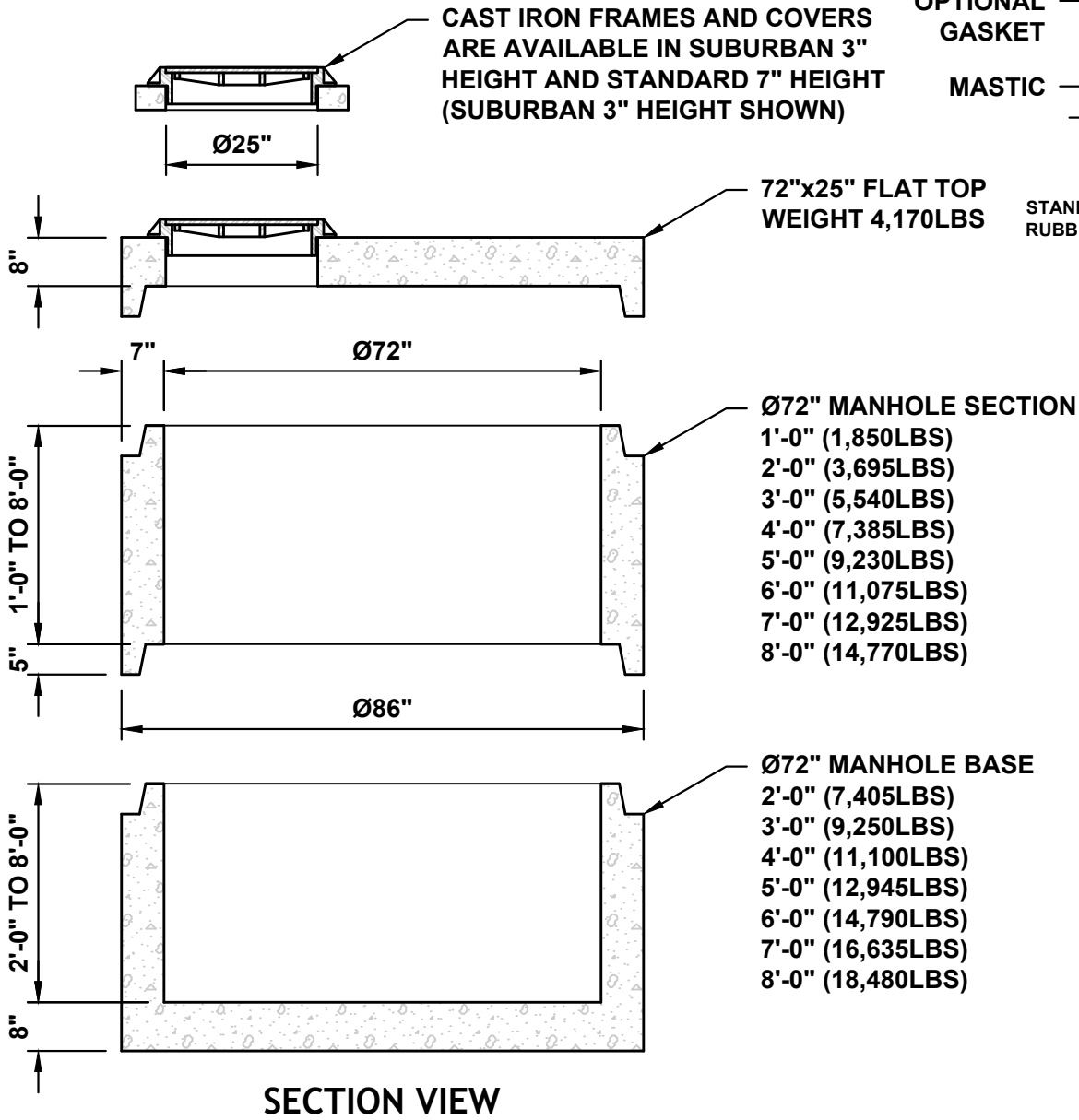
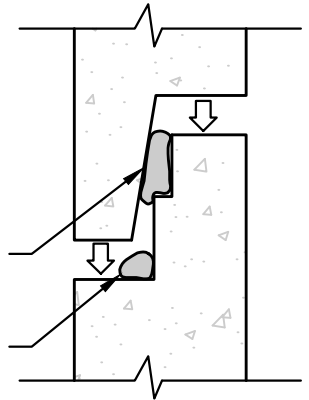


# Ø72" MANHOLE - FLAT TOP



OPTIONAL  
GASKET  
MASTIC



## JOINT DETAIL

STANDARD JOINT SEALANT IS MASTIC.  
RUBBER GASKET IS OPTIONAL.

### NOTES:

1. MANHOLE ASSEMBLY CONFORMS TO ASTM-C478.
2. ALL MANHOLE JOINTS SEALED WITH MASTIC OR RUBBER GASKET.
3. WEIGHTS LISTED ARE APPROXIMATE.
4. GRADE RINGS AVAILABLE AS NEEDED.