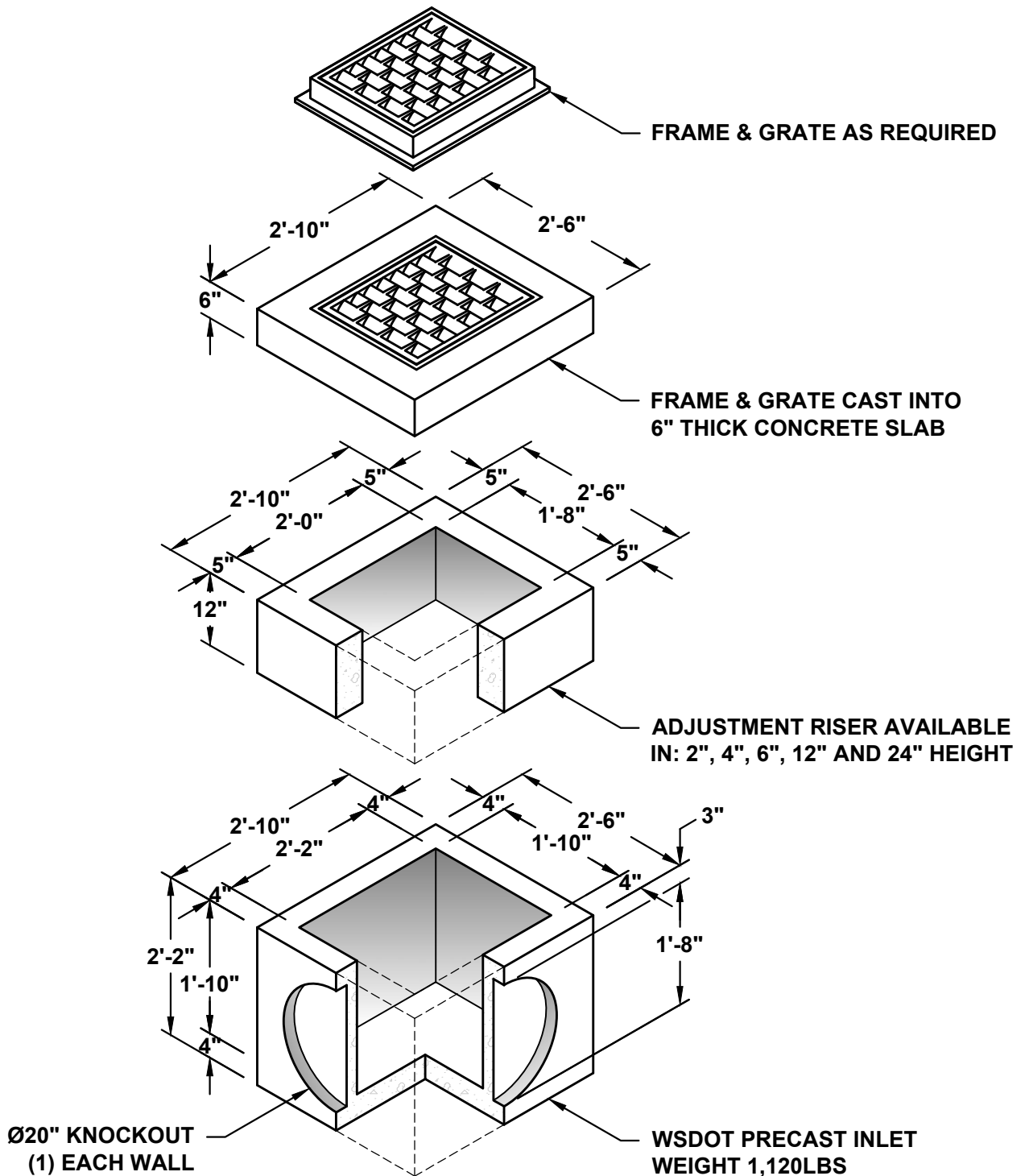


W.S.D.O.T. - TYPE 1 INLET



NOTES:

1. MEETS OR EXCEEDS WSDOT STANDARD PLAN B-5.20-02.
2. ALL DIMENSIONS SUBJECT TO ALLOWABLE TOLERANCES.