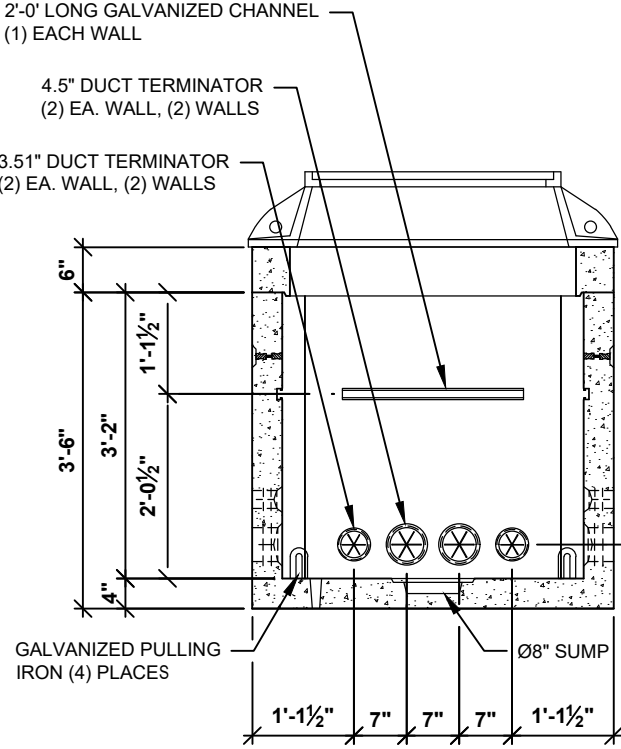
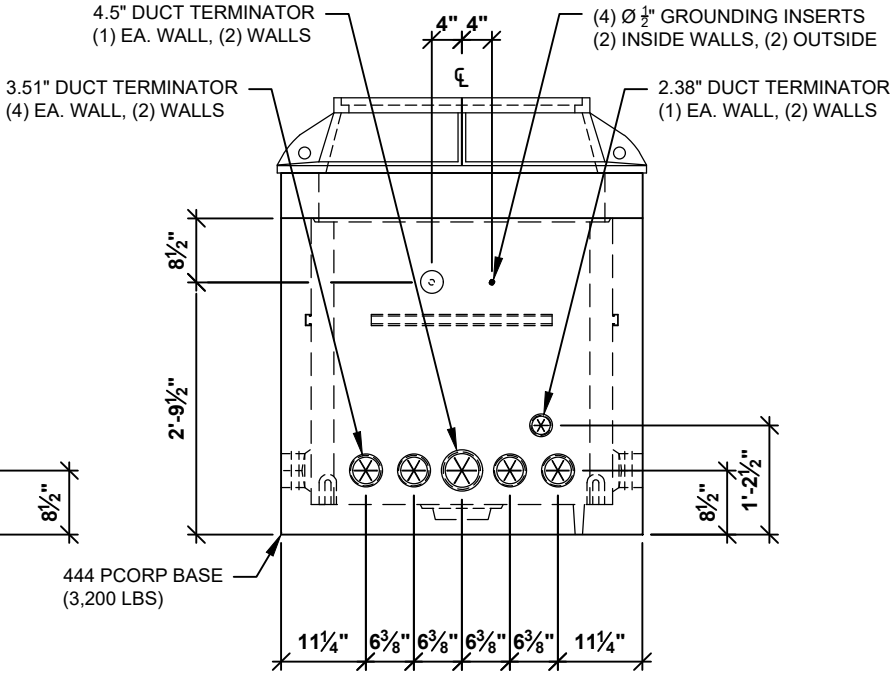


PLAN VIEW



SECTION A-A



VIEW - B

NOTES:
1. WEIGHTS LISTED ARE APPROXIMATE.

PCORP ZG501 06-13-13