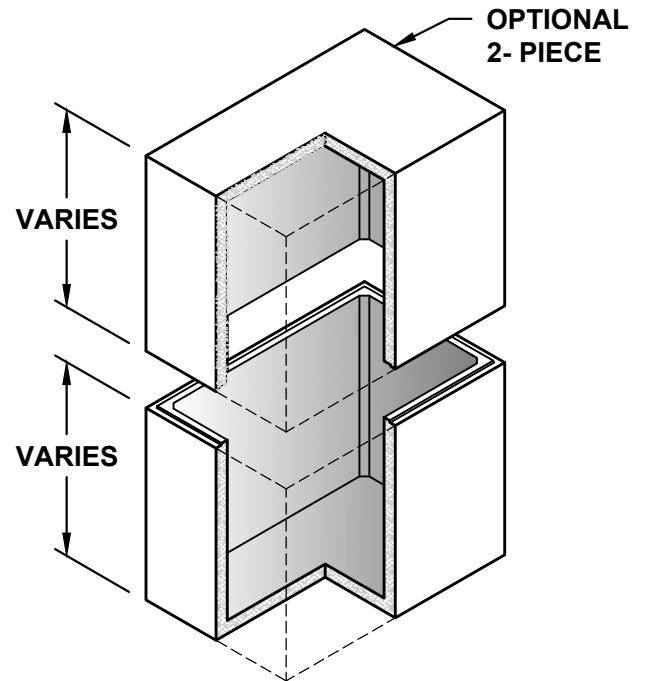
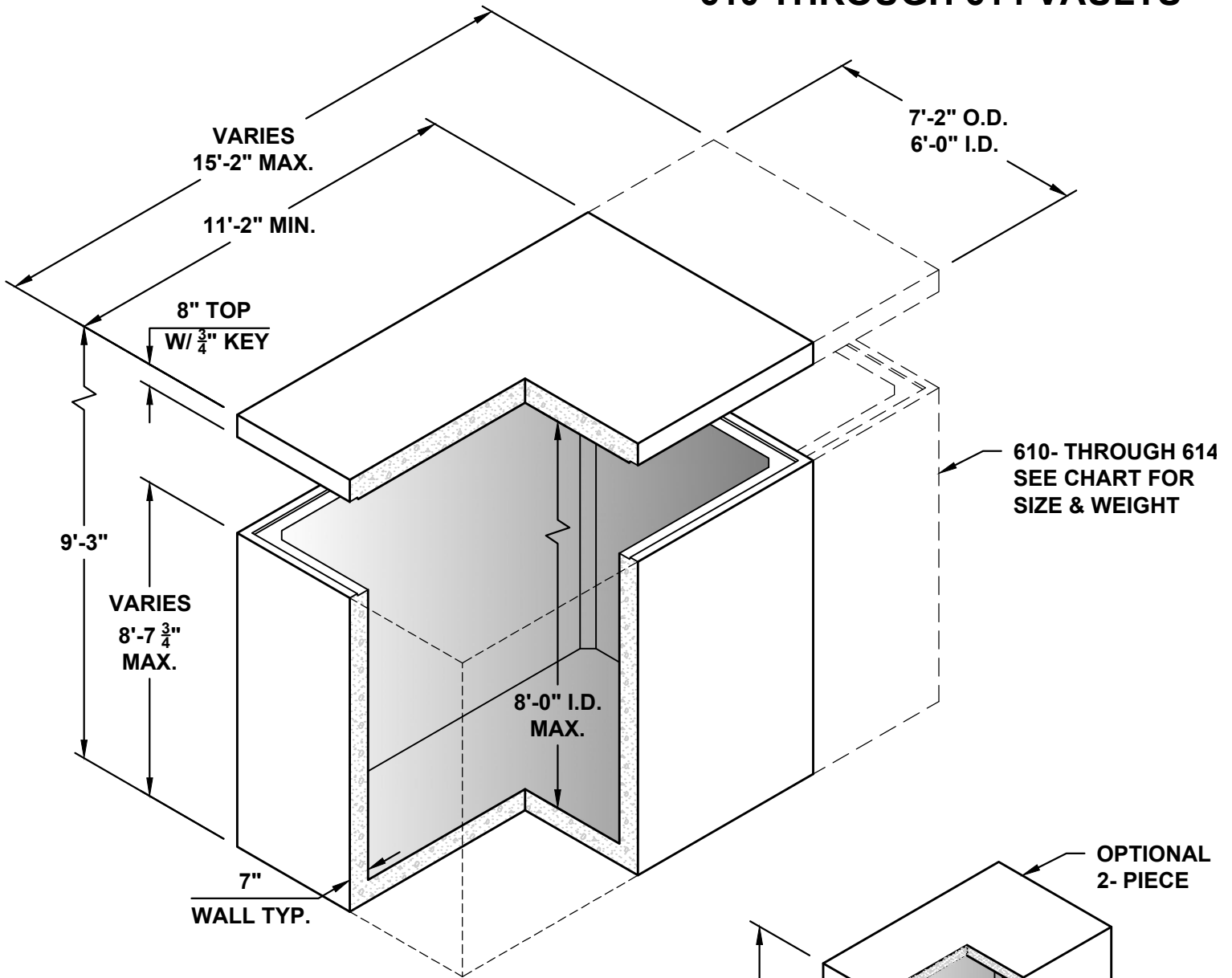


610 THROUGH 614 VAULTS



610 THROUGH 614 IN 2FT. INCREMENTS					
VAULT	WIDTH I.D.	LENGTH I.D.	HEIGHT I.D.	TOP WEIGHT	BASE WEIGHT
610	6'-0"	10'-0"	8'-0"	7,920 LBS	31,270 LBS
612	6'-0"	12'-0"	8'-0"	9,340 LBS	35,320 LBS
614	6'-0"	14'-0"	8'-0"	10,750 LBS	39,380 LBS

NOTE:
WEIGHTS BASED ON 7"
FLOOR AND 8" TOP SLAB

NOTE:
HEIGHT OF BASE AND TOP ADJUSTABLE, 8'-0" I.D. MAX EACH SECTION, BASE FLOOR AND TOP DECK THICKNESS AS REQUIRED.
OPTIONAL TOP ACCESS, MANHOLE FRAME & COVERS, AND HATCHES AS NEEDED.
VARIOUS SIZES AVAILABLE.
OPTIONAL ACCESSORIES: STRUT CHANNEL, SUMPS, INSERTS, LADDERS, ETC.